

CENTRIFUGAL PUMPS FOR LOW AND MEDIUM PRESSURE

TYPE IL, IL-N

Applications

For circulating clean, non-corrosive fluids.
Heating and air-conditioning.
Water supply.
Circulating installations.

Hydraulic Data

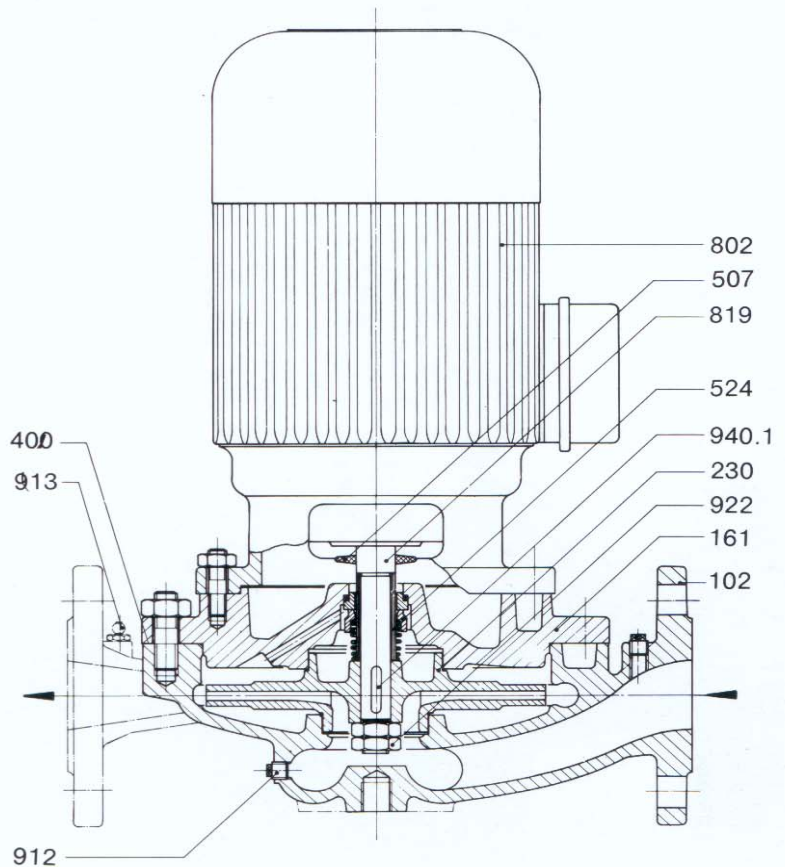
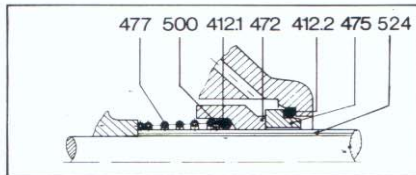
Capacity up to 300 m³/h
Total head up to 90 m
Temperature up to 140° C.
Pressure up to 10 bar.

Design Features

Single stage centrifugal pump of IN LINE type in compact design.
Motor and pump are close coupled.
IL type. Motor with special shaft-end and flange to fit the pump. Mounting V1.
IL-N type. Standard motor with mounting V1.
Suction and discharge flanges being of the same diameter and arranged opposite to each other can be directly mounted in the pipe line.
Flanges according to DIN 2532.
Back pull out design allows easy access to rotating elements for routine maintenance without disturbing pipe-work.
Simple installation.
No alignment problems.
All pumps fitted with self - adjusting mechanical seals, of design proven to eliminate gland leakages.
Capability of horizontal and vertical installation (see also page 5). Vertical installation only possible with motor above pump.
The pump is usually supported by the piping but it can also be supported by a special bracket on request.



Type IL



Part's list

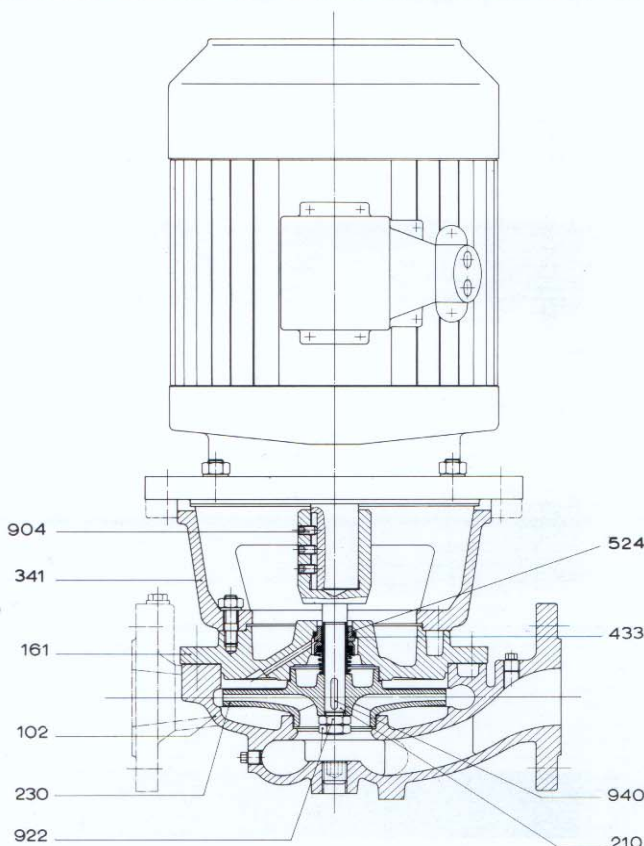
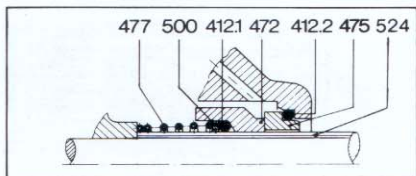
VDMA Number	Part Name	Material of construction
		Standard
102	Pump casing	GG 20
161	Seal housing	GG 20
230	Impeller	GG 20
400	Casing gasket	Reinzolit
412.1	O-ring	Viton
412.2	O-ring	Viton
472	Rotating seal ring	Carbon
475	Stationary seal ring	Ceramic
477	Spring	V4A
500	Seal ring	V4A
507	Deflector	Rubber
524	Protective sleeve	1.4021
819	Extended motor shaft	st 70 or 1.4021
912	Drain plug	GT
913	Vent	GT
922	Impeller nut	MS
940.1	Impeller key	1.4571

When the shaft material is 1.4021 protective sleeve is only provided on request at extra charge.

Electric motor

Three phase squirrel cage with extended shaft.
 Enclosure IP44, Voltage Δ 380V. Frequency 50 Hz. Insulation class B:
 Mounting V1.

Type IL-N



Parts list

VDMA Number	Part name	Materials of construction	
		Standard	Special
102	Pump casing	GG 20	Gbz 10
161	Seal housing	GG 20	Gbz 10
210	Shaft	st 70 or 1.4021	1.4401
230	Impeller	GG 20	Gbz 10
341	Motor stool	GG 20	GG 20
412.1	O-ring	Viton	Butyl
412.2	O-ring	Viton	Butyl
433	Mechanical seal		
472	Rotarign seal ring	Carbon	Hard metal
475	Stationary seal ring	Ceramic	Hard metal
477	Spring	V4A	V4A
500	Seal ring	V4A	V4A
524	Protective sleeve	1.4021	1.4401
904	Grab screw	4A	4A
922	Impeller nut	MS	MS
940	Impeller key	1.4571	1.4571

When the shaft material is 1.4021 or 1.4401 protective sleeve is only provided on request at extra charge. Furthermore in the special all- bronze pump design, bronze wearing rings are provided.

Electric motor

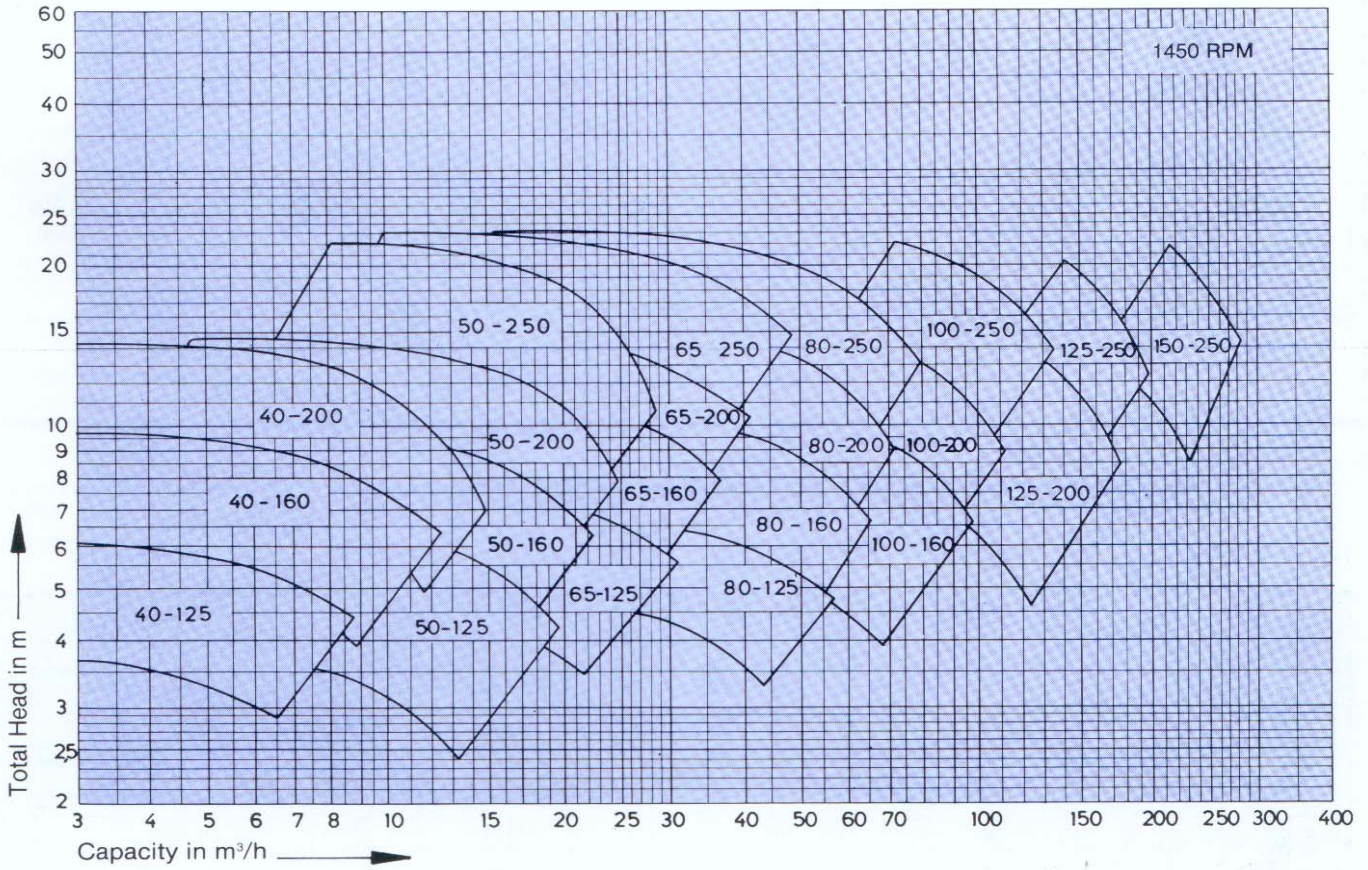
Standard motor. Three phase squirrel cage with extended shaft.
Enclosure IP44, Voltage Δ380V. Frequency 50 Hz. Insulation class B. Mounting V1.

Direction of rotation

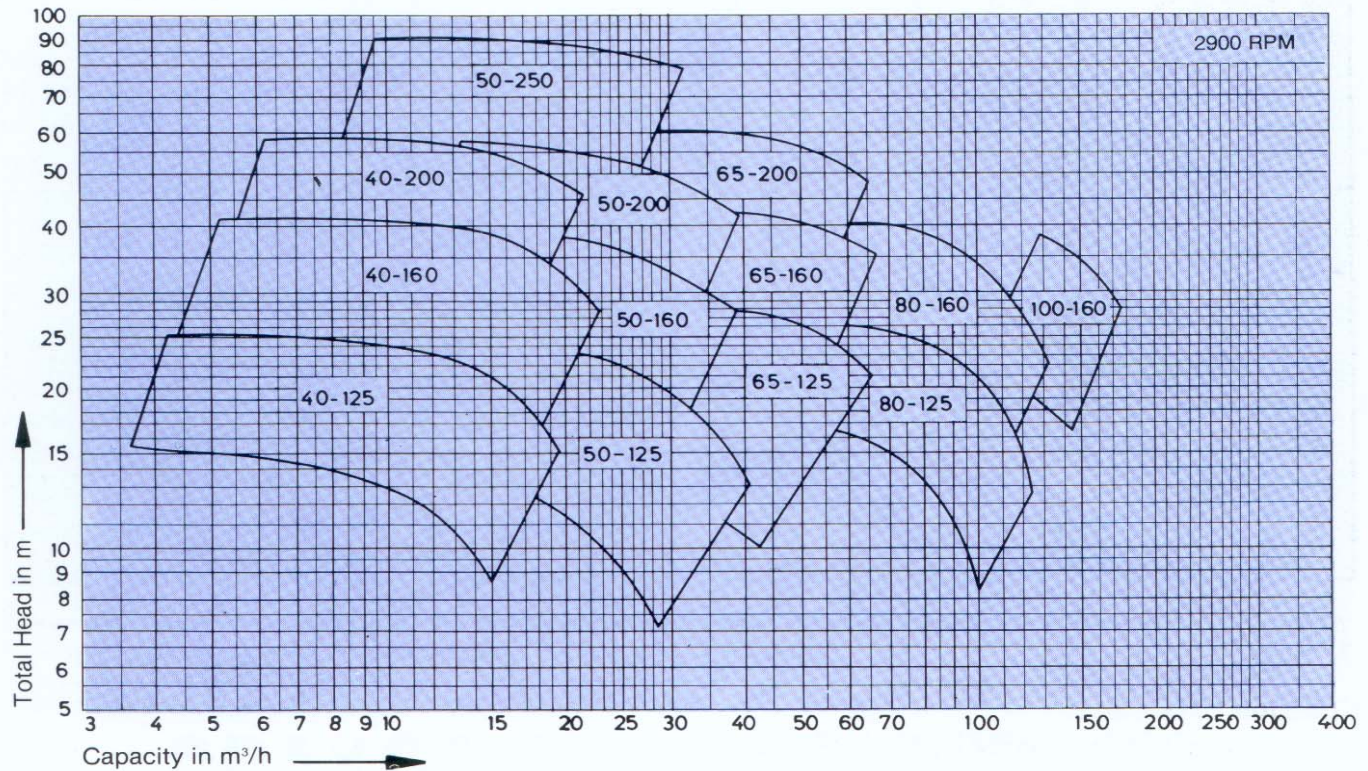
Clockwise as seen from the drive end.

Selection Chart

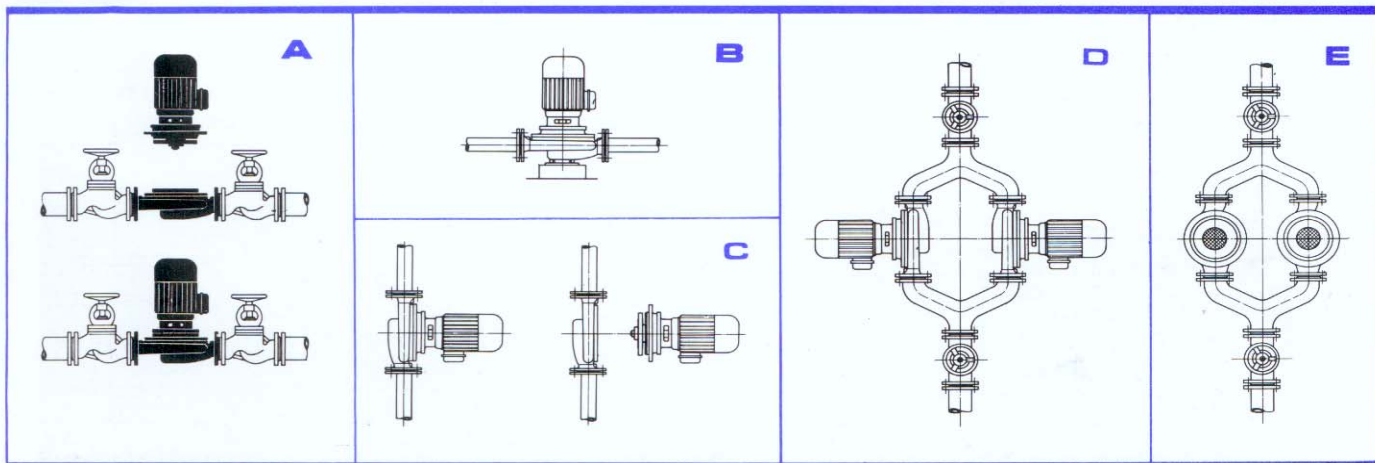
N = 1450 RPM



N = 2900 RPM



Installation



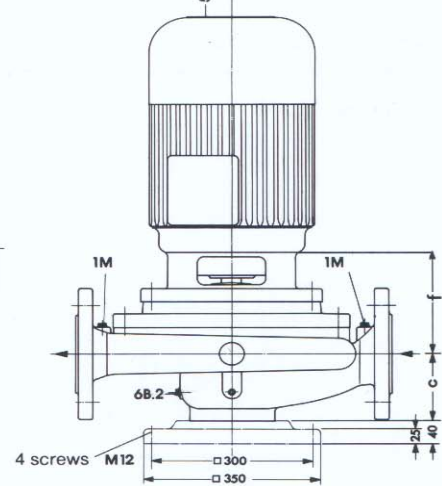
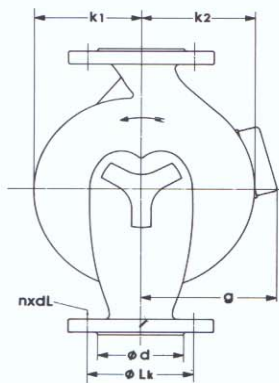
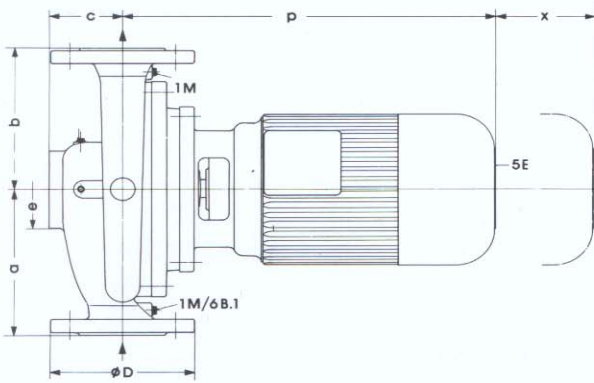
In case installation C is selected you should contact the factory

N = 2900 RPM

Pump size	Motor		Dimensions										Flanges to DIN 2532			
	Power KW	Size	a	b	c	e	g	K1	K2	'p	'f	x	NW (DN)	∅D	∅LK	nxdl
40-125	1,1	80	150	140	68	86	121	94	101	340	144	120	40	150	110	4×18
40-125	1,5	90S	150	140	68	86	131	94	101	355	144	120				
40-125	2,2	90L	150	140	68	86	131	94	101	380	144	120				
40-160	2,2	90L	170	160	68	86	131	121	121	380	144	120				
40-60	3,0	100L	170	160	68	86	150	121	121	420	154	120				
40-160	4,0	112M	170	160	68	86	162	121	121	440	154	120				
40-200	4,0	112M	200	180	70	110	162	134	134	440	154	120				
40-200	5,5	132S	200	180	70	110	189	134	134	474	174	120				
40-250	7,5	132S	240	225	101	110	189	166	166	474	174	130				
40-250	11,0	132M	240	225	101	110	240	166	166	504	174	130				
40-250	15,0	160M	240	225	101	110	240	166	166	584	204	130				
50-125	1,5	90S	160	140	82	110	131	100	109	355	144	120	50	165	125	4×18
50-125	2,2	90L	160	140	82	110	131	100	109	380	144	120				
50-125	3,0	100L	160	140	82	110	150	100	109	420	154	120				
50-125	4,0	112M	160	140	82	110	162	100	109	440	154	120				
50-160	4,0	112M	180	160	90	110	162	121	121	440	154	130				
50-160	5,5	132S	180	160	90	110	189	121	121	474	174	130				
50-200	5,5	132S	200	180	88	114	189	134	134	474	174	130				
50-200	7,5	132S	200	180	88	114	189	134	134	474	174	130				
50-200	11,0	132M	200	180	88	114	240	134	134	504	174	130				
50-250	11,0	132M	240	225	82	114	240	166	169	504	174	130				
50-250	15,0	160M	240	225	82	114	240	166	169	584	204	130				
65-125	3,0	100L	180	160	115	110	150	104	114	420	154	130	65	185	145	4×18
65-125	4,0	112M	180	160	115	110	162	104	114	440	154	130				
65-125	5,5	132S	180	160	115	110	189	104	114	474	174	130				
65-125	7,5	132S	180	160	115	110	189	104	114	474	174	130				
65-160	5,5	132S	200	180	105	168	189	121	134	474	174	135				
65-160	7,5	132S	200	180	105	168	189	121	134	474	174	135				
65-160	11,0	132M	200	180	105	168	240	121	134	504	174	135				
65-200	11,0	132M	235	200	105	148	240	136	146	504	174	135				
65-200	15	160M	235	200	105	148	240	136	146	584	204	135				
80-125	5,5	132S	220	180	130	110	189	116	134	474	174	145				
80-125	7,5	132S	220	180	130	110	189	116	134	474	174	145				
80-125	11,0	132M	220	180	130	110	240	116	134	504	174	145				
80-160	11,0	132M	240	200	130	168	240	131	144	504	174	145				
80-160	15,0	160M	240	200	130	168	240	131	144	504	204	145				
80-160	18,5	160L	240	200	130	168	240	131	144	619	204	145				
100-160	11,0	132M	292	225	155	170	240	136	154	504	174	145	100	220	180	8×18
100-160	15,0	160M	292	225	155	170	240	136	154	584	205	145				
100-160	18,5	160L	292	225	155	170	240	136	154	619	205	145				
100-160	22,0	180M	292	225	155	170	251	136	154	644	205	145				

'p For type IL
'f For type IL-N

Dimensions



x Distance for back pull-out
5E Inlet of air cooling the motor

1M Pressure gauge connection R¹/₄"
6B1-6B2 Drain R¹/₄"

N = 1450 RPM

Pump size	Motor		Dimensions										Flanges to DIN 2532				
	Power size	Size	a	b	c	e	g	K1	K2	'p	'f	x	NW (DN)	ØD	Ød	ØLK	nxdL
40-125	0,55	80	150	140	68	86	121	94	101	340	144	120	40	150	88	110	4×18
40-160	0,55	80	170	160	68	86	121	121	121	340	144	120					
40-200	0,75	80	200	180	68	110	121	134	134	340	144	120					
40-200	1,10	90S	200	180	68	110	131	134	134	355	144	120					
40-250	1,50	90L	240	225	101	110	131	166	166	380	144	130					
40-250	2,20	100L	240	225	101	110	150	166	166	420	154	130					
50-125	0,55	80	160	140	82	110	121	100	109	340	144	120	50	165	102	125	4×18
50-160	0,75	80	180	160	85	110	121	121	121	340	144	130					
50-160	1,10	90S	180	160	85	110	131	121	121	355	144	130					
50-200	1,10	90S	200	180	85	114	131	134	134	355	144	130					
50-200	1,50	90L	200	180	85	114	131	134	134	380	144	130					
50-250	2,20	100L	240	225	82	114	150	166	169	420	154	130					
50-250	3,00	100L	240	225	82	114	150	166	169	420	154	130					
65-125	0,55	80	180	160	110	110	121	104	114	340	144	130	65	185	122	145	4×18
65-125	0,75	80	180	160	110	110	121	104	114	340	144	130					
65-160	1,10	90S	200	180	105	168	131	121	134	355	144	135					
65-160	1,50	90L	200	180	105	168	131	121	134	380	144	135					
65-200	2,20	100L	235	200	105	148	150	136	146	420	154	135					
65-250	3,00	100L	250	225	110	200	150	166	176	420	154	145					
65-250	4,00	112M	250	225	110	200	162	166	176	440	154	145					
80-125	0,75	80	220	180	130	110	121	116	134	345	144	145	80	200	138	160	8×18
80-125	1,10	90S	220	180	130	110	131	116	134	355	144	145					
80-125	1,50	90L	220	180	130	110	131	116	134	380	144	145					
80-160	1,50	90L	240	200	130	168	131	131	144	380	144	145					
80-160	2,20	100L	240	200	130	168	150	131	144	420	154	145					
80-200	3,00	100L	280	225	155	190	150	146	162	420	154	145					
80-200	4,00	112M	280	225	155	190	162	146	162	440	154	145					
80-250	5,50	132S	280	250	140	220	189	170	183	490	164	165					
100-160	1,50	90L	292	225	155	170	131	136	154	380	144	145	100	220	158	180	8×18
100-160	2,20	100L	292	225	155	170	150	136	154	420	154	145					
100-160	3,00	100L	292	225	155	170	150	136	154	420	154	145					
100-200	4,00	112M	300	250	160	200	162	154	171	460	149	165					
100-200	5,50	132S	300	250	160	200	189	154	171	480	164	165					
100-250	7,50	132M	340	280	165	230	189	180	198	520	164	170					
100-250	11,00	160M	340	280	165	230	240	180	198	600	199	170					
125-200	3,00	100L	340	280	180	210	150	159	183	440	149	175	125	250	188	210	8×18
125-200	4,00	112M	340	280	180	210	162	159	183	460	149	175					
125-200	5,50	132S	340	280	180	210	189	159	183	480	164	175					
125-200	7,50	132M	340	280	180	210	189	159	183	520	164	175					
125-250	11,00	160M	370	280	207	265	240	189	209	600	199	180					
125-250	15,00	160L	370	280	207	265	240	189	209	635	199	180					
150-250	11,00	160M	410	355	190	265	240	197	224	600	199	180	150	285	212	240	8×23
150-250	15,00	160L	410	355	190	265	240	197	224	635	199	180					
150-250	18,50	180M	410	355	190	265	251	197	224	660	199	180					
150-250	22,00	180L	410	355	190	265	251	197	224	690	199	180					

The technical data of this brochure are subject to change without notice.

23M.04.01/1000

DRAKOS-POLEMIS PUMPS

PLANT & HEAD OFFICE: Postal Address: P.O. Box 51 024, GR-145 10 Kifissia, Greece Tel.: ++30 (210) 8161402 - Fax: 210 8161262 e-mail: dppumps@sparknet.gr
NORTHERN GREECE BRANCH OFFICE: Melenicou 5, GR-54 248 Thes/niki, Greece Tel.: ++30 (2310) 330066 - Fax: 2310 317524 e-mail: dpnorth@otenet.gr www.dppumps.gr